



TECHNICAL DATA

Encoder Signal Type	incremental
Current Consumption	≤ 60 mA
Limit Frequency	100 kHz
Phase Shift	90° ± 45°
Signal Level	VH 85% VCC, VL ≤ 0.3 V
Max. Output Current per Channel	0 ~ 5 mA
Operating Temperature	-25 °C - 100 °C
Storage Temperature	40 °C - 100 °C
Humidity	max. 90 % (no condensation)

VERSIONS

Type	Index	Line Driver	Encoder Signal Type	Encoder Resolution CPR	Output Signals	Limit Speed RPM
WEDL5541-A	✓	✓	incremental	500	phase A, A\, B, B\, I, I\	12000
WEDL5541-B	✓	✓	incremental	1000	phase A, A\, B, B\, I, I\	6000
WEDS5541-A	✓	-	incremental	500	phase A, B, I	12000
WEDS5541-B	✓	-	incremental	1000	phase A, B, I	6000

ORDER IDENTIFIER

**WEDL5541-A**  
 14 = 5 mm shaft diameter  
 06 = 6.35 mm shaft diameter



ACCESSORIES

- ZK-WEDL-8-500**  
Encoder Cable WEDL 0.5m
- ZK-WEDL-8-500-S**  
Encoder Cable WEDL 0.5m
- ZK-WEDL-500-S-PADP**  
Encoder Cable WEDL 0.5m
- ZK-WEDL-8-1000-S**  
Encoder Cable WEDL 1m
- ZK-WEDL-8-2000-S**  
Encoder Cable WEDL 2m
- ZK-WEDS-300-S-SMC135**  
Encoder Cable WEDS 0.3m
- ZK-WEDS-5-500**  
Encoder Cable WEDS 0.5m
- ZK-WEDS-5-500-S**  
Encoder Cable WEDS 0.5m

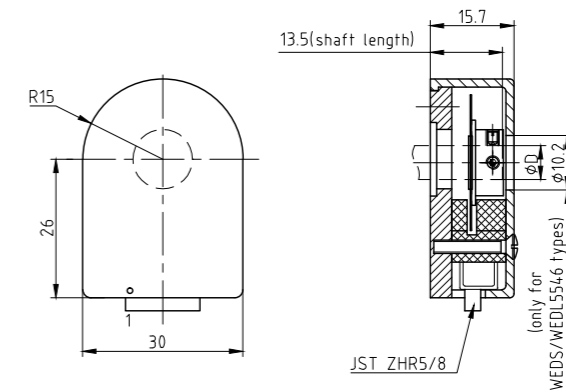


CAUTION

To be able to install the encoder yourself, you will need to order the additional mounting kit. Mounting kits are available on our website.

DIMENSIONS (IN MM)

WEDL-WEDS5541 (500 Ink.)



WEDL-WEDS5541 (1000 Ink.)

