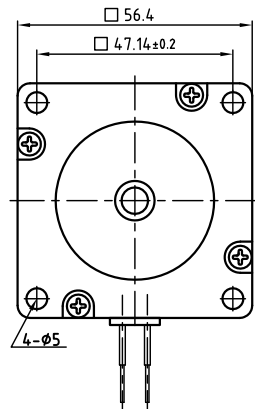
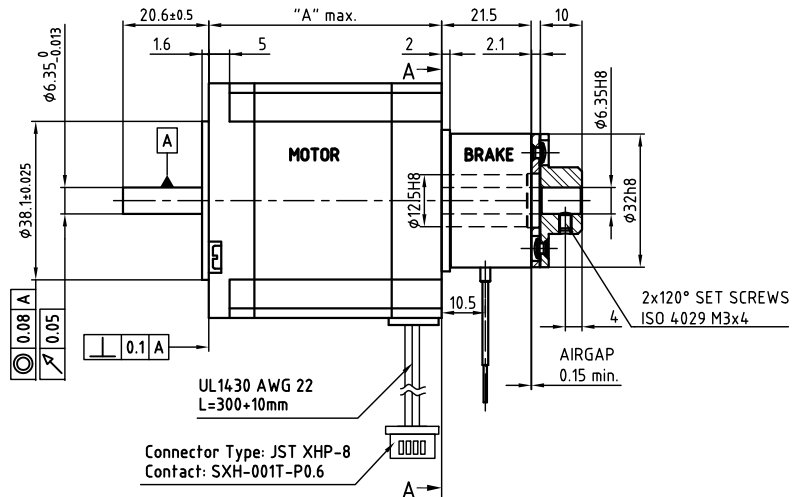


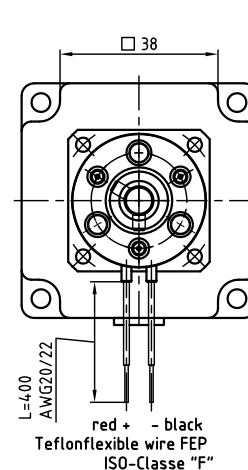
Front view and mounting



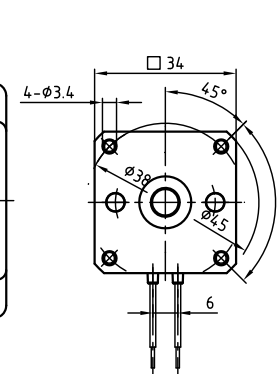
Side view



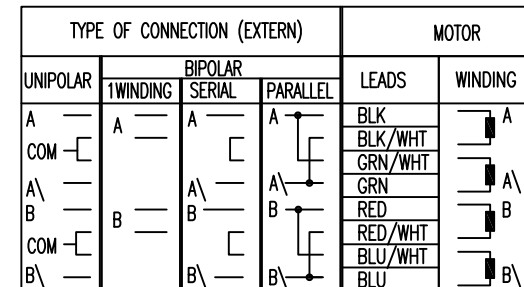
Rear view



A-A View (Brake)



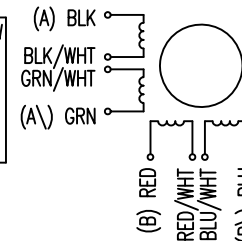
| STEPPING MOTOR TYPE SPECIFICATION | UNIPOLAR OR BIPOLAR 1-WINDING OTHER WINDINGS SEE DATESHEETS OR www.nanotec.de | | | | | BRAKE BKE-1.0-6.35 (10W) |
|--|--|-------------------------------|------------------------------|------------------------------|------------------------------|---|
| | ST5918X3008 | ST5918S3008 | ST5918M3008 | ST5918L3008 | ST5918D4208 | |
| VOLTAGE (VDC) | 1.5 | 2.16 | 2.1 | 3.0 | 4.2 | 24 Vdc +6%/-10% |
| AMPS/PHASE | 3.0 | 3.0 | 3.0 | 3.0 | 4.2 | 0.434 |
| RESISTANCE/PHASE (Ohms)@25°C | 0.5±15% | 0.72±15% | 0.7±15% | 1.0±15% | 1.0±15% | 57.6±10% |
| INDUCTANCE/PHASE (mH) @1KHz | 0.54±20% | 1.1±20% | 1.3±20% | 2.2±20% | 2.6±20% | 0.5 |
| HOLDING TORQUE (Nm) [lb-in] | 0.38 [3.363] | 0.65 [5.75] | 0.8 [7.08] | 1.4 [12.39] | 1.8 [15.93] | Mstat: 1 [8.85] |
| DETENT TORQUE (Nm) [lb-in] | 0.0147 [0.13] | 0.03 [0.266] | 0.04 [0.354] | 0.068 [0.602] | 0.09 [0.797] | AIRGAP min/max: 0.15/0.35mm |
| STEP ANGLE (°) ACCURACY (NON-ACCUM) | 1.8±5% | | | | | SWITCH ON TIME: 2ms |
| MOTOR LENGTH "A" (mm) [in] | 41 [1.61] | 51 [2.01] | 56 [2.2] | 76 [3.0] | 115 [4.53] | SWITCH OFF TIME: 12ms |
| ROTOR INERTIA (Kg-m ²) [lb-in ²] | 1.35x10 ⁻⁵ [0.046] | 2.75x10 ⁻⁵ [0.094] | 3.0x10 ⁻⁵ [0.102] | 4.8x10 ⁻⁵ [0.164] | 6.5x10 ⁻⁵ [0.222] | 2.1x10 ⁻⁶ [7.14x10 ⁻³] |
| WEIGHT (Kg) [lb] | 0.49 [1.08] | 0.65 [1.43] | 0.7 [1.54] | 1.0 [2.2] | 1.8 [3.97] | 0.11 [0.2425] |
| TEMPERATURE RISE: MAX.80°C (MOTOR STANDSTILL; FOR 2 PHASE ENERGIZED) | | | | | | |
| AMBIENT TEMPERATURE -10~ 50°C [14°F ~ 122°F] | | | | | | |
| INSULATION RESISTANCE 100 MOhm (UNDER NORMAL TEMPERATURE AND HUMIDITY) | | | | | | INSULATION RESISTANCE 500MOhm |
| INSULATION CLASS B 130° [266°F] | | | | | | INSULATION CLASSE F 150° (302°F) |
| DIELECTRIC STRENGTH 500VAC FOR 1 MIN. (BETWEEN THE MOTOR COILS AND THE MOTOR CASE) | | | | | | |
| AMBIENT HUMIDITY MAX. 85% (NO CONDENSATION) | | | | | | |



FULL STEP 2 PHASE-Ex.,
WHEN FACING MOUNTING END (X)

| STEP | A | B | A\ | B\ | CCW | CW |
|------|---|---|----|----|-----|----|
| 1 | + | + | - | - | ↑ | ↓ |
| 2 | - | + | + | - | ↓ | ↑ |
| 3 | - | - | + | + | ↑ | ↓ |
| 4 | + | - | - | + | ↓ | ↑ |

WIRING DIAGRAM



| REV | DESCRIPTION | DATE | APVD | SCALE FREE | APVD | B.W. | 25.06.10 |
|-----|-------------|------|------|------------|-----------|------|----------|
| | | | | X ±0.5 | CHKD | | |
| | | | | 1PL ±0.2 | DRN | J.W. | 25.06.10 |
| | | | | 2PL ±0.1 | SIGNATURE | | DATE |
| | | | | ANGLE ±30' | | | |



ST5918+BKE-1.0-6.35

STEPPING MOTOR

DWG.NO

ST5918+BKE-1.0-6.35