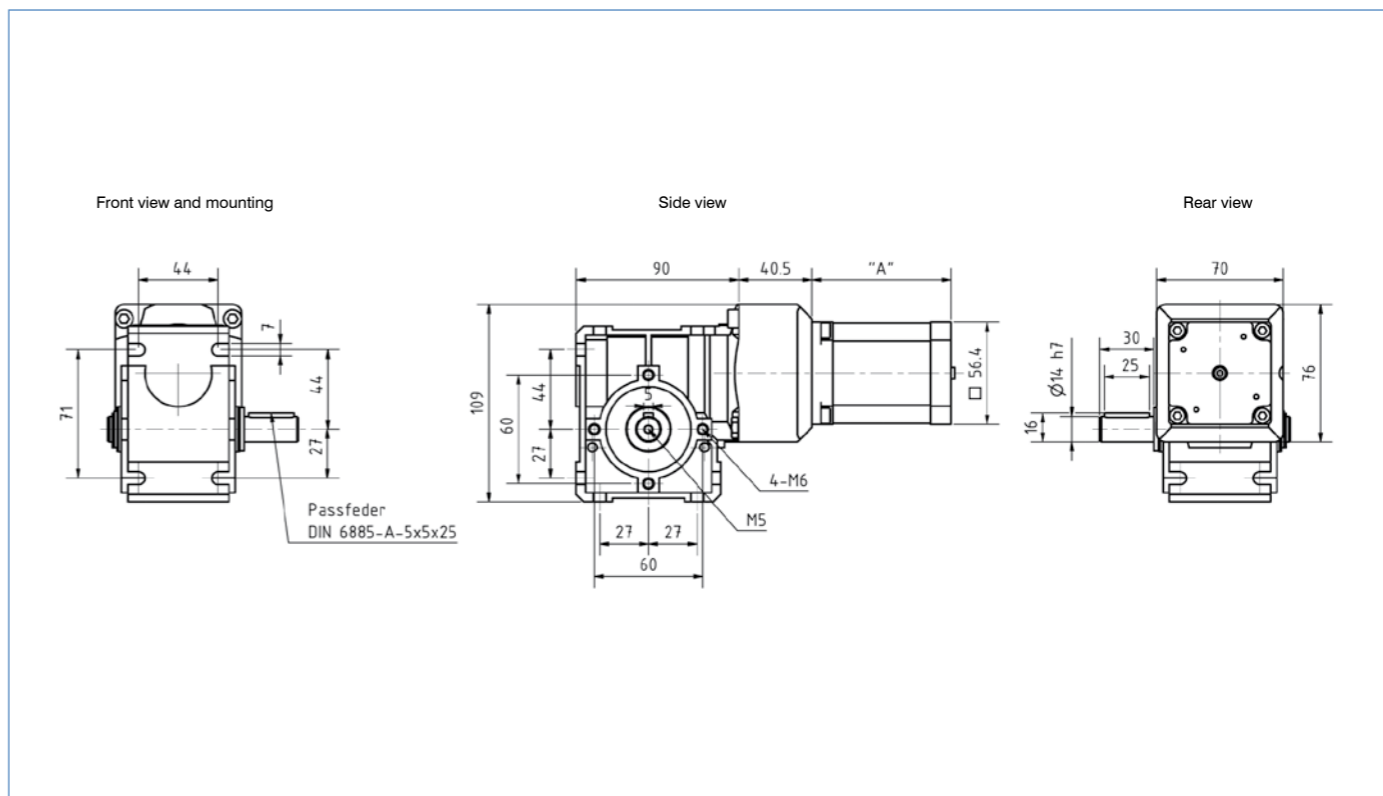


Worm gear GSGE



GSGE 60 outline drawing (in mm)



The maximum Mmax drive torques represent the load limit in continuous operation at an even load.

The Mgrenz output limit torques are static and permissible during operation for short periods without gear damage occurring. The Mgrenz output limit torques represent the upper limit of the permissible load and should not be exceeded even in the event of surges.

Order identifier

GSGE60 -

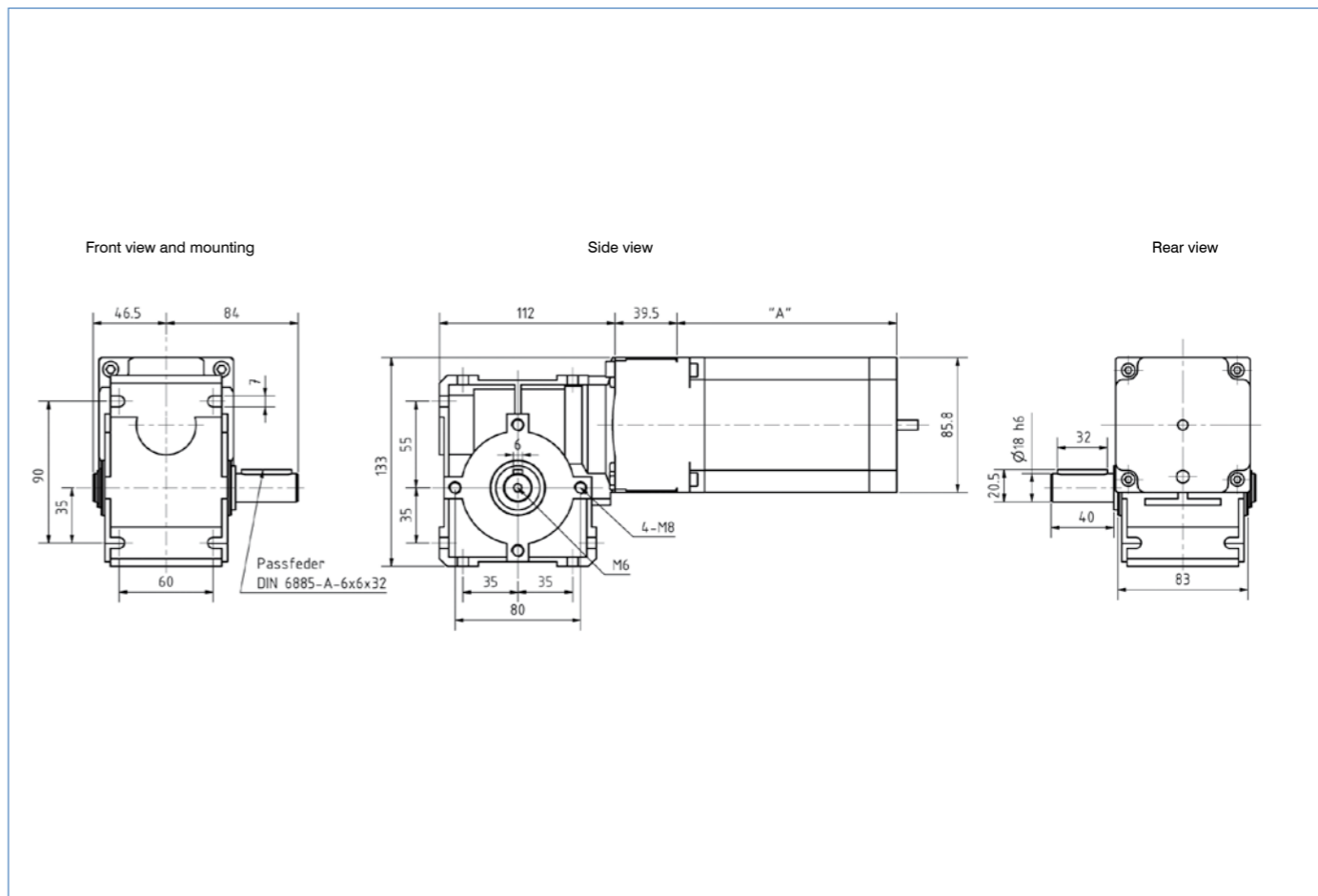
Size

Reduction ratio i

Available as options:

- Double shaft (order number: MG-DW-GSGE60)
- Cover hood (order number: MG-D-GSGE60)

GSGE 80 outline drawing (in mm)



Available versions (others on request)								
Type	Reduction ratio	Mgrenz output limit torque Ncm	Mmax max. output torques Ncm	Efficiency	Weight kg	Self-locking	Combination option with motor	
GSGE60-5-1	5 : 1	7500	3000	86%	2.0	no	(Nema 23)	
GSGE60-15-1	15 : 1	7500	3000	71%	2.0	no	(Nema 23)	
GSGE60-25-1	25 : 1	7500	3000	63%	2.0	no	(Nema 23)	
GSGE60-50-1	50 : 1	7500	3000	45%	2.0	yes	(Nema 23)	
GSGE80-12.5-1	12.5 : 1	12500	5000	80%	3.0	no	(Nema 34)	
GSGE80-25-1	25 : 1	12500	5000	68%	3.0	no	(Nema 34)	
GSGE80-50-1	50 : 1	12500	5000	50%	3.0	yes	(Nema 34)	