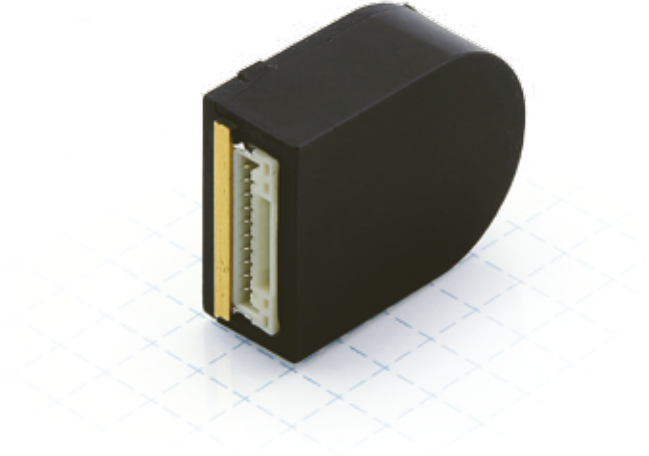


Options

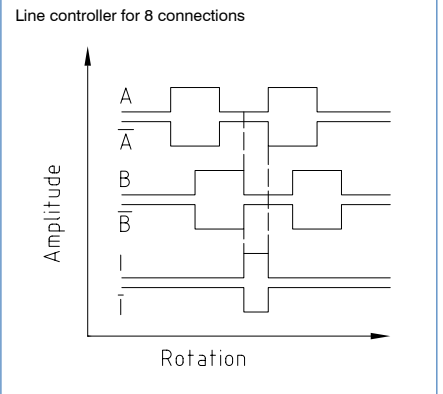
Optical encoder - NOE1 series



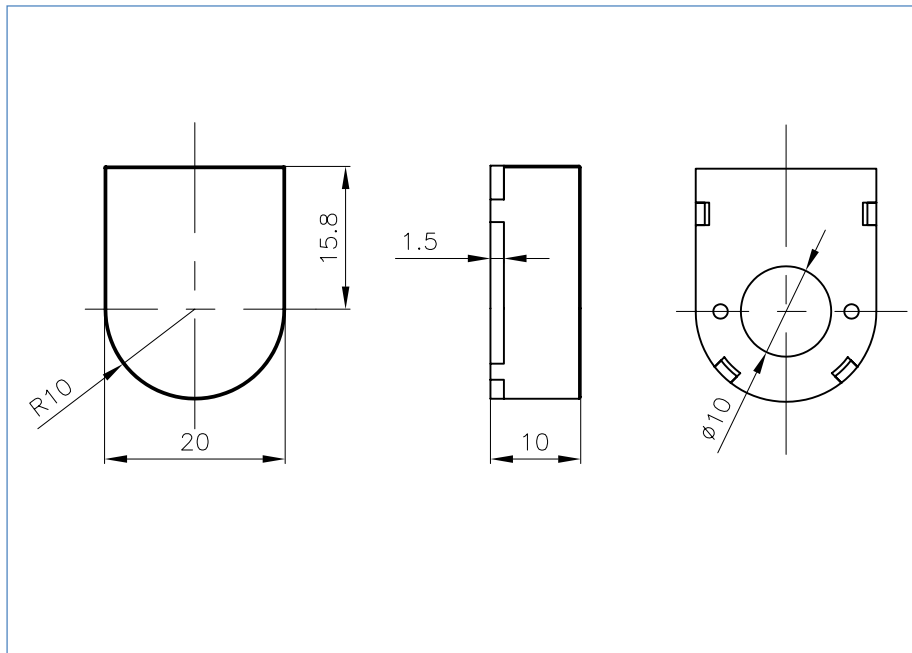
Technical data

Resolution:	500, 1000, 2000 pulses/rpm
Signal shape:	TTL square wave signal
Output signals:	Phase A, A\, B, B\, I, I\
Operating voltage:	5 V DC (7 V DC max.)
Current consumption:	Type ≤ 100 mA
Limit frequency:	60 KHz
Limit speed:	7200 rpm (500 pulses), 3600 rpm (1000 pulses), 1800 rpm (2000 pulses)
Pulse width:	180° ± 50°
Phase shift:	90° ± 50°
Signal level:	Low 0 V, high operating voltage -0.5 V
Max. output current per channel:	± 150mA, recommended working current ± 20 mA
Operating temperature:	85 to -20 °C
Storage temperature:	85 to -40 °C
Air humidity:	Max. 90%, non-condensing

Output signals



NOE1 outline drawing (mm)



Output signals

10 pin JST GH	
NO.	Function
1	GND
2	B
3	B\
4	A
5	A\
6	I
7	I\
8	GND
9	Vcc
10	GND

Order identifier

NOE1-05-

A14 = 500 pulses/rpm (no interpolation)

B14 = 1000 pulses/rpm (2x interpolation)

C14 = 2000 pulses/rpm (4x interpolation)

for 5 mm shaft diameter