

Brushless DC motors in protection rating IP 65

ASB42 brushless DC motor with junction box



Option



Pin configuration

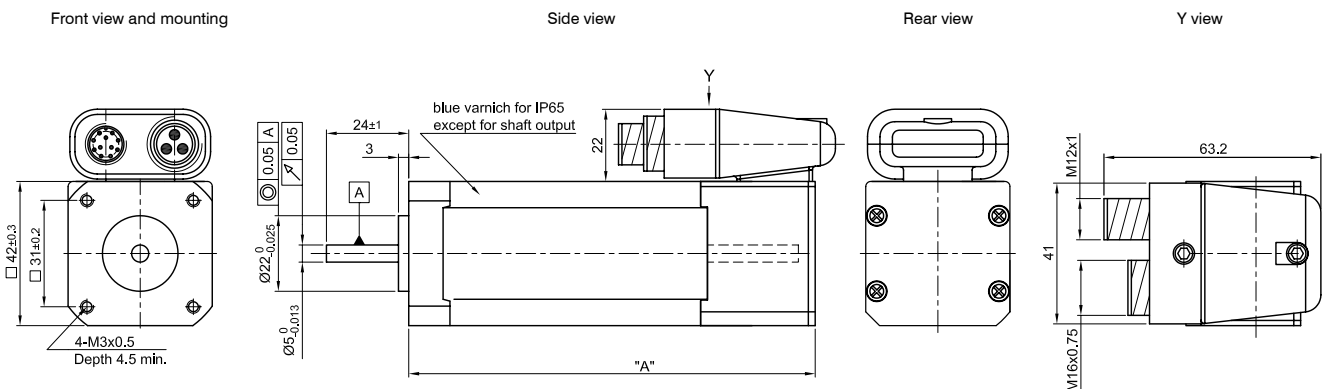
TWINTUS CONNECTOR M12 12 pin	
PIN NO.	ENC./HALL
1	NC
2	5 V
3	GND
4	A
5	A\
6	B
7	B\
8	I
9	I\
10	H1
11	H2
12	H3

TWINTUS CONNECTOR M16 3 pin	
PIN NO.	FUNCTION
1	U
2	V
3	W

Encoder: integrated magnetic 3-channel encoder with line driver (5 V TTL), 4096 pulses/rpm

Outline drawing (mm)

ASB42 for flange size 42



Available versions (others on request)

Type	Nom. output W	Nom./peak torque Ncm	Nom./peak current A	Nom. voltage/speed V/rpm	Torque Constant Ncm/A	Resistance Ohm/winding	Inductance mH/winding	Rotor inertia gcm ²	Weight kg	Length "A" mm
ASB42C048060-ENM	150	25 / 75	4.63 / 13.89	48 / 6000	5.40	0.68	1.21	96	0.75	119