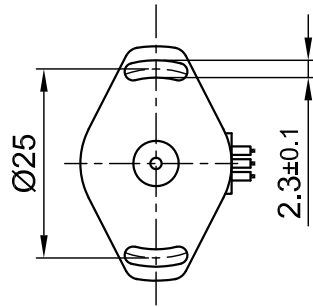
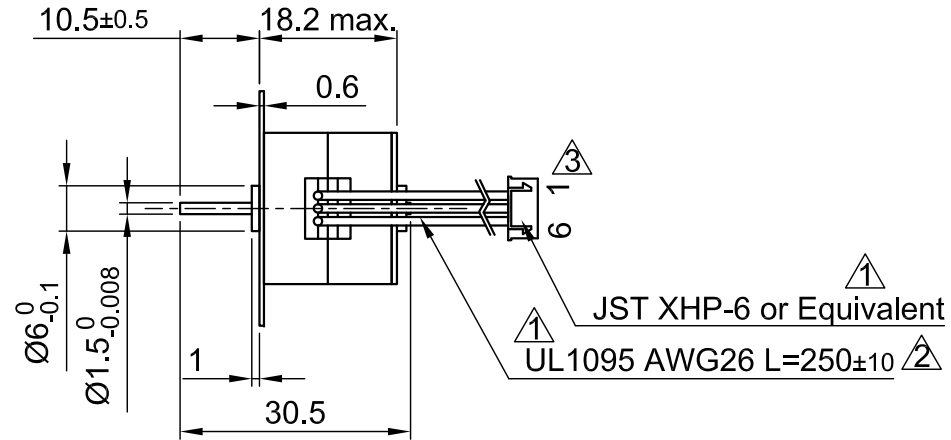


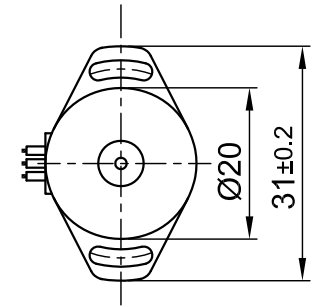
Front view and mounting



Side view

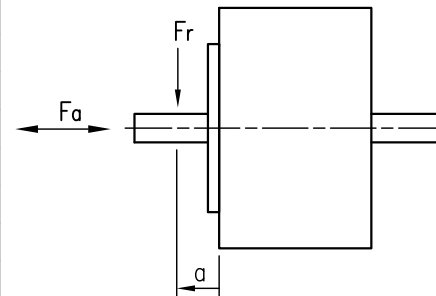


Rear view



SPECIFICATION	UNIPOLAR OR BIPOLAR-1 WINDING	BIPOLAR SERIAL
VOLTAGE (VDC)	5.0	7.0
AMPS/PHASE	0.5	0.35
RESISTANCE/PHASE (Ohms)@25°C	10±10%	20±10%
INDUCTANCE/PHASE (mH) @1KHz	1.85±20% \triangle	7.4±20% \triangle
HOLDING TORQUE (Nm) [lb-in]	0.005 [0.041]	0.007 [0.058]
DETENT TORQUE (Nm) [lb-in]	1.5x10 ⁻³ [0.013]	
STEP ANGLE (°)	18	
STEP ACCURACY (NON-ACCUM)	±7% \triangle	
ROTOR INERTIA (Kg-m ²) [lb-in ²]	1.0x10 ⁻⁷ [3.416x10 ⁻⁴]	
WEIGHT (Kg) [lb]	0.026 [0.0573]	

PERMISSIBLE RADIAL+AXIAL FORCE



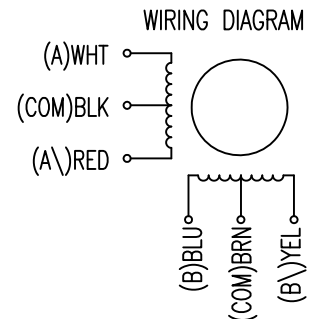
TEMPERATURE RISE: MAX.80°C (MOTOR STANDSTILL; FOR 2 PHASE ENERGIZED)	AXIAL-FORCE Fa (N)	Fa=1.0
AMBIENT TEMPERATURE -10~ 40°C [14°F ~ 104°F] \triangle	DISTANCE a (mm)	1/2 SCHAFTLENGTH
INSULATION RESISTANCE 100 MOhm (UNDER NORMAL TEMPERATURE AND HUMIDITY)	RADIAL-FORCE Fr (N)	Fr=2.0
INSULATION CLASS E 120°C [248°F] \triangle		AXIAL RADIAL
DIELECTRIC STRENGTH 500VAC FOR 1 MIN. (BETWEEN THE MOTOR COILS AND THE MOTOR CASE)	SHAFT PLAY (mm)	0.08 0.06
AMBIENT HUMIDITY MAX. 85% (NO CONDENSATION)	AT LOAD MAX: (N)	4.5 4.5

TYPE OF CONNECTION (EXTERN)			MOTOR		
UNIPOLAR	BIPOLAR		CONNECTOR PIN NO.	LEADS	WINDING
	1WINDING	SERIAL			
A ---	A ---	A ---	1	WHT	A
COM ---	COM ---	---	5	BLK	COM
A\ ---	---	A\ ---	3	RED	A\
B ---	B ---	B ---	2	BLU	B
COM ---	COM ---	---	6	BRN	COM
B\ ---	---	B\ ---	4	YEL	B\

for >speed \leftarrow
for <speed \leftarrow

FULL STEP 2 PHASE-Ex., WHEN FACING MOUNTING END (X)

STEP	A	B	A\	B\		CCW
1	+	+	-	-	↓	↑
2	-	+	+	-		
3	-	-	+	+	↑	↓
4	+	-	-	+		



3	PIN 1 AND 6 INTERCHANGED	04.08.11	J.W.
2	CABLE TOLERANCE	06.04.10	J.W.
1	DATA ADJUSTMENT	02.07.09	J.W.
REV	DESCRIPTION	DATE	APVD



SP2018M0506-A

SCALE FREE	APVD	S.Ha.	12.03.07
X ±0.5	CHKD		
1PL ±0.2	DRN	J.W.	26.10.06
2PL ±0.1	SIGNATURE	DATE	
ANGLE ±30'			

STEPPING MOTOR

DWG.NO

SP2018M0506-A