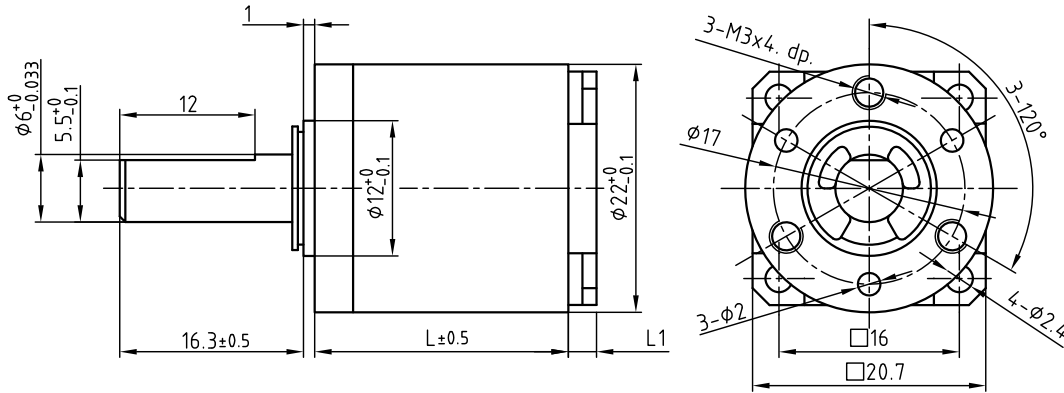
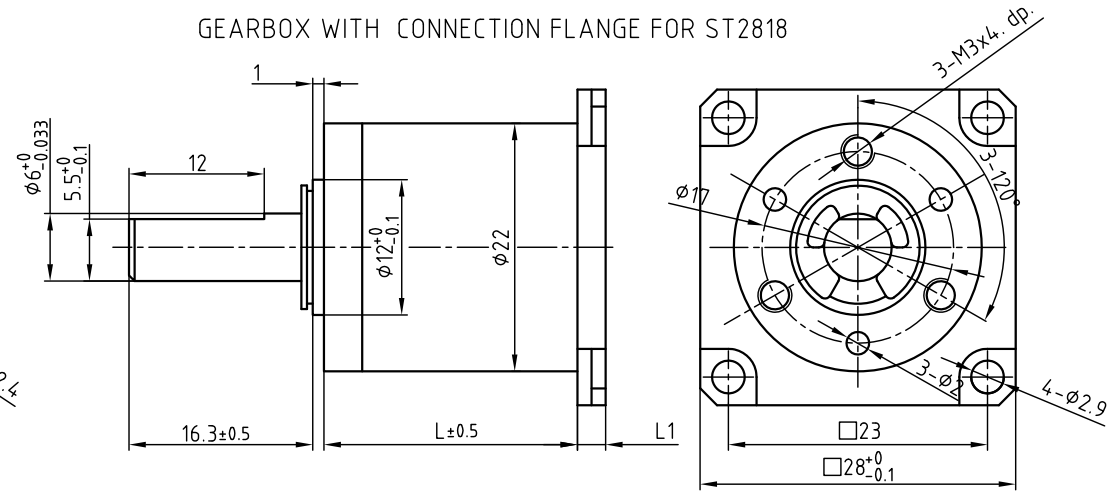


DIMENSION (UNIT : mm)

GEARBOX WITH CONNECTION FLANGE FOR ST2018



GEARBOX WITH CONNECTION FLANGE FOR ST2818




FLANGE SPECIFICATIONS

MOTOR	L1 (mm)
ST20.., ST28..	5.0
DB28	NO FLANGE

GEARBOXES SPECIFICATIONS

RATIO	RATED TORQUE (Nm) max.	MAX. TORQUE (Nm) max.	EFFICIENCY (%)	RADIL PLAY OF SHAFT (mm)	THUST PLAY OF SHAFT (mm)	L (mm)	WEIGHT (Kg)	SHAFT AXIAL LOAD (N)	RADIAL LOAD (10mm FROM FLANGE) (N)
1/5	0.2	0.6	80%	≤ 0.05	≤ 0.3	23.3	0.046	7	10
1/20, 1/25	0.3	0.9	70%			29.5	0.051		
1/90	0.4	1.2	60%			35.7	0.058		

REV	DESCRIPTION	DATE	APVD	 <p>Nanotec PLUG & DRIVE</p>	SCALE FREE	APVD	M 2:1	GPLL22+Zwischenflansch	
					X ±0.5	CHKD			
					1PL ±0.2	DRN	J.W.	14.11.2008	DWG.NO
					2PL ±0.1	SIGNATURE	DATE		GPLL22
				ANGLE ±30'					