

AD8918 stepper motor with terminal box in protection class IP54



Option



Connector configuration

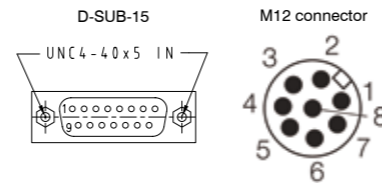
MOTOR D-SUB-15		ENCODER M12	
Pin	assignment	Pin	assignment
1	A	1	A
2	A	2	A\
3	A\	3	B
4	A\	4	B\
5	B	5	GND
6	B	6	I
7	B\	7	I\
8	B\	8	Vcc
9	NC		
10	NC	Housing	GND/shielding
11	NC (brake)		
12	NC (brake/GND)		
13	NC		
14	NC		
15	NC		
Housing	GND/shielding		

Through their electrical and mechanical interchangeability with the standard motors, the machine-compliant stepper motors up to a protection class of IP 54 (except for shaft output) offer a consistent drive concept. The extremely compact terminal box is only 16 mm longer and provides the constructor with an easy, fast and economic expansion option with high availability at the same time.

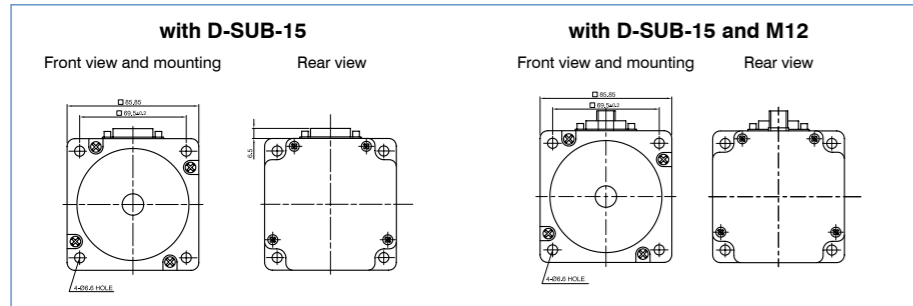
In addition to use under extreme ambient conditions as well as reduced filtering and EMC effort, prefabricated cables enable fast and faultless wiring and commissioning. Corresponding connection cables can be found on this website under Accessories

Encoders used:
3-channel with 500 pulses/rev and line driver, 5V TTL signal each (for 24V, please contact us!)

Braking mechanism used:
Braking power: 2Nm, 24V, 11W



Outline drawing (in mm)



Order number

AD8918L 9504 -

Without option = with terminal box
 E = with encoder
 B = with brake
 EB = with encoder and brake

Available performance categories (others on request)

Type	Current A/phase	Holding torque (Ncm)	Resistance Ohm/phase	Inductance mH	Rotor inertia g cm ²	Weight kg	Length "A" mm	Encoder	Brakes
AD8918S6404	6.4	320	0.275	1.6	1000	1.95	82.6		
AD8918S6404-E	6.4	320	0.275	1.6	1000	2.10	112.6	X	
AD8918S6404-B	6.4	320	0.275	1.6	1070	2.35	132.6		X
AD8918S6404-EB	6.4	320	0.275	1.6	1070	2.50	152.6	X	X
AD8918M9504	9.5	594	0.230	2.6	1900	3.05	114.9		
AD8918M9504-E	9.5	594	0.230	2.6	1900	3.20	144.9	X	
AD8918M9504-B	9.5	594	0.230	2.6	1970	3.45	164.9		X
AD8918M9504-EB	9.5	594	0.230	2.6	1970	3.60	184.9	X	X
AD8918L9504	9.5	933	0.230	2.7	3000	4.20	144.9		
AD8918L9504-E	9.5	933	0.230	2.7	3000	4.35	174.9	X	
AD8918L9504-B	9.5	933	0.230	2.7	3070	4.60	194.9		X
AD8918L9504-EB	9.5	933	0.230	2.7	3070	5.00	214.9	X	X

Outline drawing AD89 for flange size 86 with 1.8°/full step

