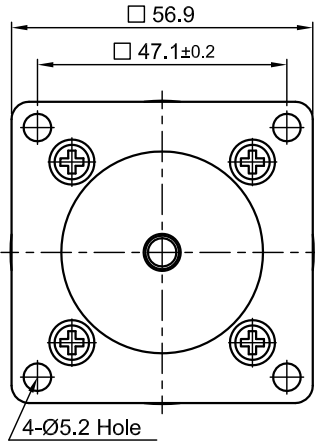
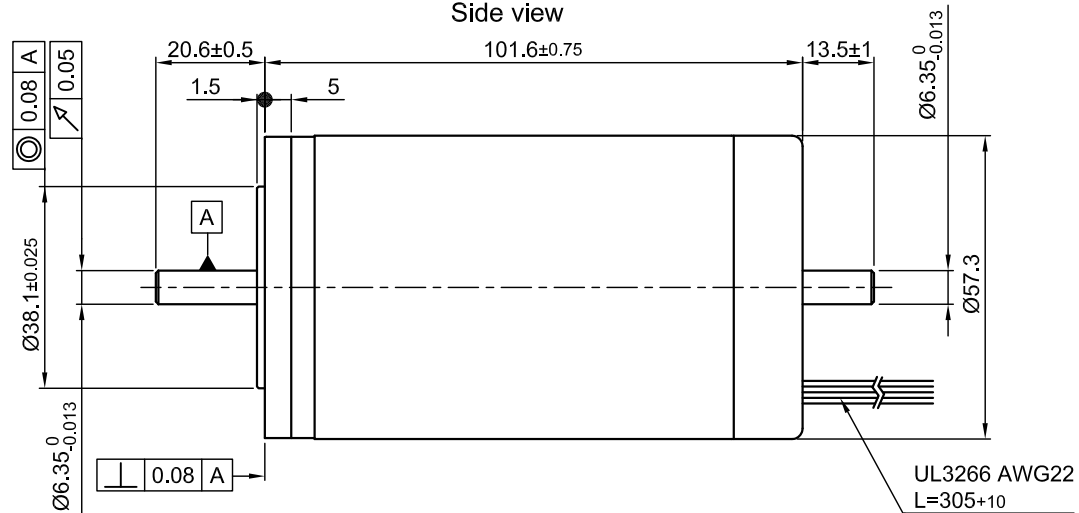


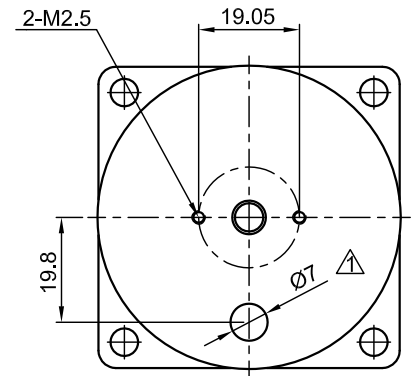
Front view and mounting



Side view

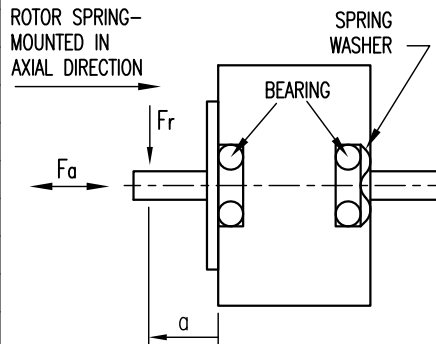


Rear view



SPECIFICATION	CONNECTION	STAR
NO. OF POL./PHASE		6/3
VOLTAGE RATED (VDC)		24
CURRENT RATED/PEAK (AMP)		5.87/21.27
RESISTANCE/PHASE TO PHASE (Ohms) @25°C		0.42±15%
INDUCTANCE/PHASE TO PHASE (mH) @1KHz		0.62±20%
TORQUE RATED/PEAK (Nm) [lb-in]		0.37/1.34 [3.275/11.86]
TORQUE/VOLTAGE CONSTANT (Nm/A)/[(V/red/sec)]		0.063/0.063
POWER RATED (W)		120
SPEED RATED/NO LOAD (U/min)		2800/3600
ROTOR INERTIA (Kg-m <sup>2</sup> ) [lb-in <sup>2</sup> ]		5.0x10 <sup>-5</sup> [0.171]
WEIGHT (Kg) [lb]		1.5 [3.31]
TEMPERATURE RISE: MAX.80°C		
AMBIENT TEMPERATURE -10°~ 50°C [14°F ~ 122°F]		
INSULATION RESISTANCE 100 MOhm (UNDER NORMAL TEMPERATURE AND HUMIDITY)		
INSULATION CLASS B 130° [266°F]		
DIELECTRIC STRENGTH 500VAC FOR 1 MIN. (BETWEEN THE MOTOR COILS AND THE MOTOR CASE)		
AMBIENT HUMIDITY MAX. 85% (NO CONDENSATION)		

PERMISSIBLE RADIAL+AXIAL FORCE



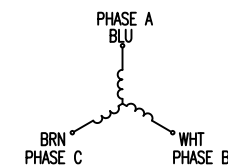
AXIAL-FORCE Fa (N)	Fa=10			
DISTANCE a (mm)	5	10	15	20
RADIAL-FORCE Fr (N)	130	90	70	52
	AXIAL	RADIAL		
SHAFT PLAY (mm)	0.075	0.025		
AT LOAD MAX: (N)	10.0	5.0		

WIRING DIAGRAM

	PIN	COLOR	FUNCTION	Dir. ← →					
				X	HI	HI	X	LOW	LOW
MOTOR 6 POL.	6	BLU	U	X	HI	HI	X	LOW	LOW
	7	WHT	V	HI	X	LOW	LOW	X	HI
	8	BRN	W	LOW	LOW	X	HI	HI	X
HALL 18 IMPL. REV.	1	ORG	+5V						
	2	YEL	H1	0	0	0	1	1	1
	3	GRY	H2	0	1	1	1	0	0
	4	GRN	H3	1	1	0	0	0	1
	5	BLK	GND						



STAR CONNECTION



REV	DESCRIPTION	DATE	APVD
2	PIN FOR ENCODER REMOTE	06.04.10	J.W.
1	DIAMETER OF BORE	20.02.08	J.W.



DB57C01

SCALE	FREE	APVD	S.Ha.	19.06.07
X	±0.5	CHKD		
1PL	±0.2	DRN	J.W.	18.10.06
2PL	±0.1	SIGNATURE		DATE
ANGLE	±30'			

BRUSHLESS DC MOTOR

DWG.NO

DB57C01