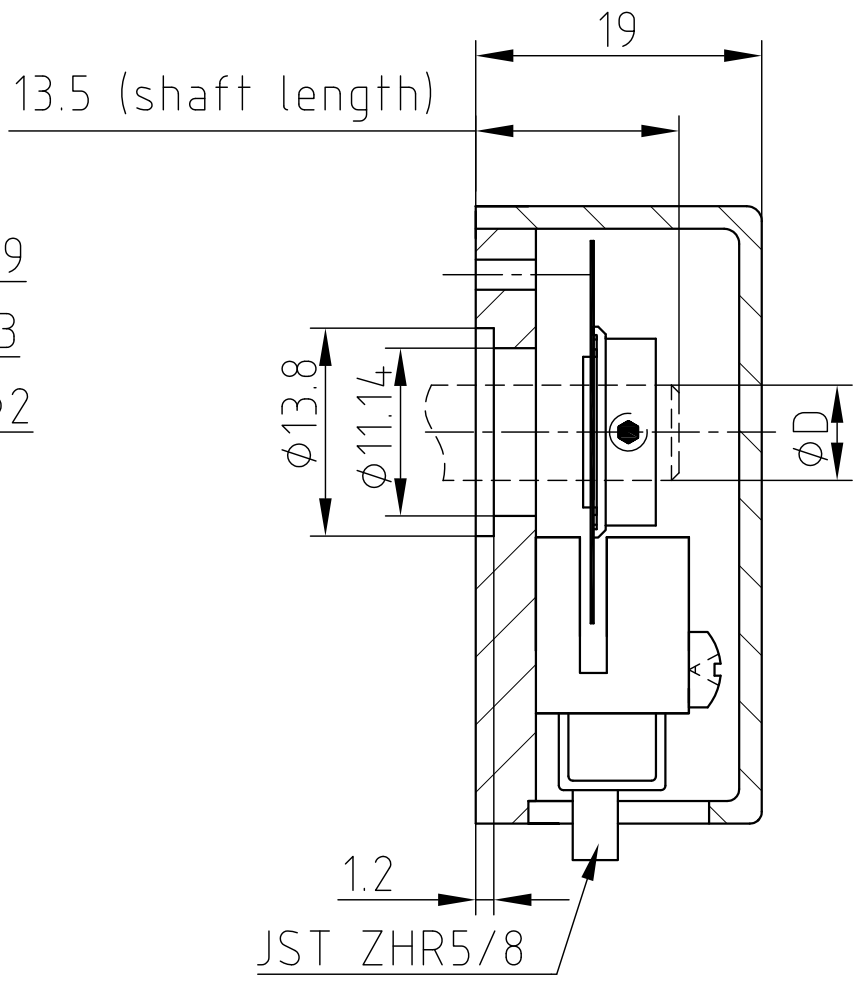
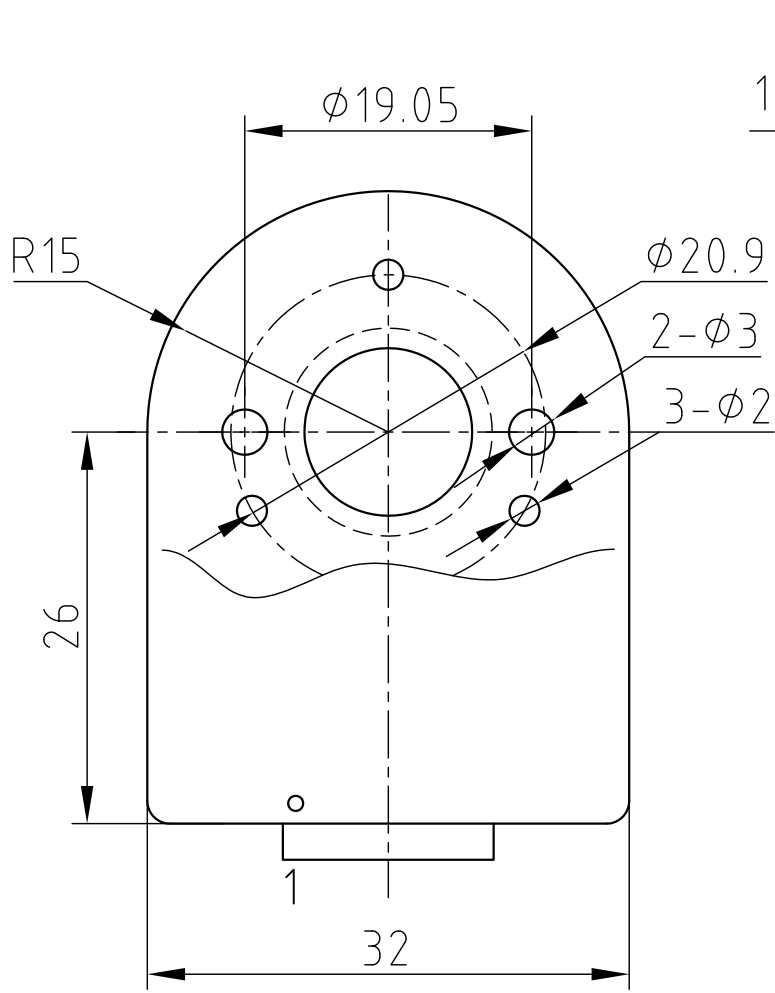


DIMENSION (UNIT : mm)



				 Nanotec [®] PLUG & DRIVE	SCALE FREE	APVD	S.R.	10.09.09	HEDL/HEDS 5541
					X ±0.5	CHKD			
				1PL ±0.2	DRN	J.W.	10.09.09		WEDL/WEDS5541(1000)
REV	DESCRIPTION	DATE	APVD	2PL ±0.1	SIGNATURE		DATE		
				ANGLE ±30'					