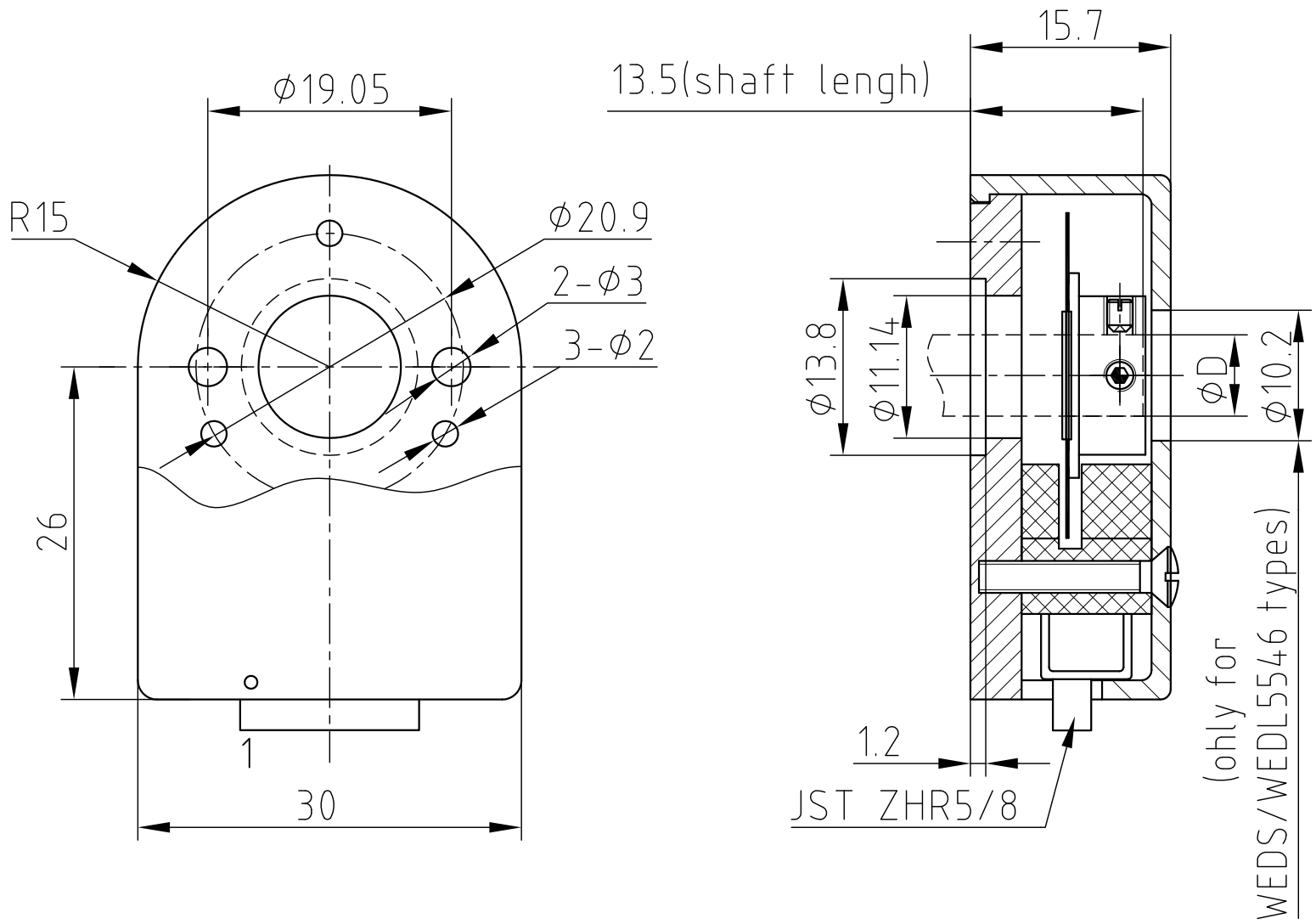


DIMENSION (UNIT : mm)



				 Nanotec [®] PLUG & DRIVE	SCALE FREE	APVD	S.R.	10.09.09	ENCODER HEDL/HEDS
					X ±0.5	CHKD			
				WEDL/WEDS5541(500)	1PL ±0.2	DRN	J.W.	10.09.09	WEDL/WEDS5541(500)
REV	DESCRIPTION	DATE	APVD		2PL ±0.1	SIGNATURE		DATE	
					ANGLE ±30'				