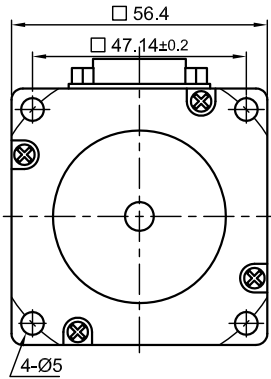
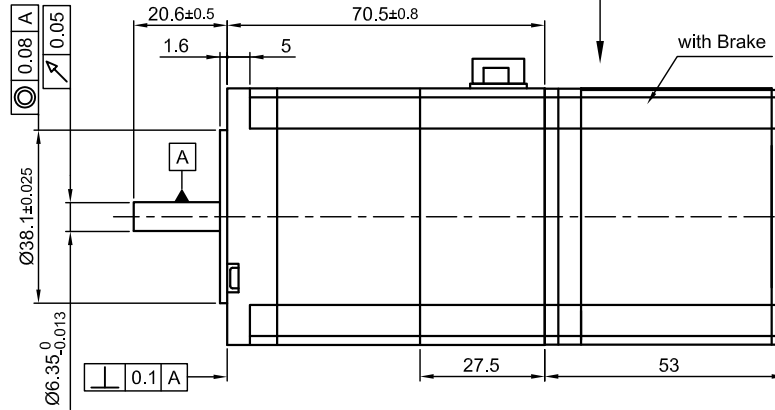


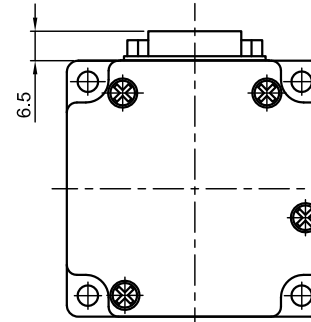
Front view and mounting



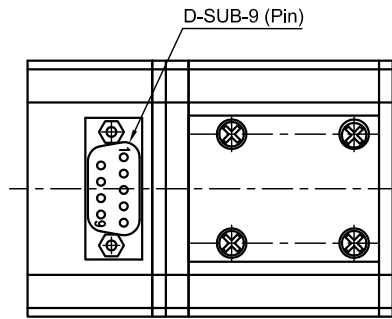
Side view



Rear view



Top view A



SPECIFICATION	CONNECTION	BIPOLAR PARALLEL
VOLTAGE (VDC)		2.4
AMPS/PHASE		2.82
RESISTANCE/PHASE (Ohms)@25°C		0.85±10%
INDUCTANCE/PHASE (mH) @1KHz		3.6±20%
HOLDING TORQUE (Nm) [lb-in]		1.05 [9.29]
DETENT TORQUE (Nm) [lb-in]		0.04 [0.354]
STEP ANGLE (°) ± ACCURACY		1.8±5% (NON-ACCUM)
BACK-EMF (V) (300 U/min)		17.49
ROTOR INERTIA (Kg-m <sup>2</sup> ) [lb-in <sup>2</sup> ]		3.0x10 <sup>-5</sup> [0.102]
WEIGHT (Kg) [lb]		1.09 [2.4]
TEMPERATURE RISE: MAX.80°C (MOTOR STANDSTILL; FOR 2 PHASE ENERGIZED)		
AMBIENT TEMPERATURE -10~ 50°C [14°F ~ 122°F]		
INSULATION RESISTANCE 100 MOhm (UNDER NORMAL TEMPERATURE AND HUMIDITY)		
INSULATION CLASS B 130° [266°F]		
DIELECTRIC STRENGTH 500VAC FOR 1 MIN. (BETWEEN THE MOTOR COILS AND THE MOTOR CASE)		
AMBIENT HUMIDITY MAX. 85% (NO CONDENSATION)		

PERMISSIBLE RADIAL+AXIAL FORCE				
ROTOR SPRING-MOUNTED IN AXIAL DIRECTION				
AXIAL-FORCE Fa (N)	Fa=15			
DISTANCE a (mm)	5	10	15	20
RADIAL-FORCE Fr (N)	130	90	70	52
		AXIAL	RADIAL	
SHAFT PLAY (mm)	0.08	0.02		
AT LOAD MAX: (N)	4.5	4.5		

WIRING DIAGRAM					
FULL STEP 2 PHASE-Ex., WHEN FACING MOUNTING END (X)					
STEP	A	B	A\	B\	CCW
1	+	+	-	-	
2	-	+	+	-	
3	-	-	+	+	
4	+	-	-	+	

MOTOR D-SUB-9	
PIN	ASSIGNMENT
1	A
2	A\
3	B
4	B\
5	NC
6	NC
7	BRAKE
8	BRAKE/GND
9	NC
HOUSING	GND/SHIELDING

REV	DESCRIPTION	DATE	APVD	 <b>Nanotec</b> <sup>®</sup> PLUG & DRIVE AD5918M2804-B	SCALE FREE	APVD	<i>S.Ha.</i>	05.08.08	<b>STEPPING MOTOR</b>
					X ±0.5	CHKD			
					1PL ±0.2	DRN	<i>J.W.</i>	05.08.08	DWG.NO
				2PL ±0.1	SIGNATURE		DATE		AD5918M2804-B
				ANGLE ±30'					