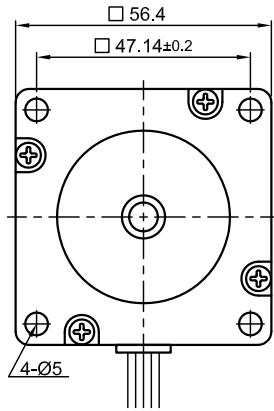
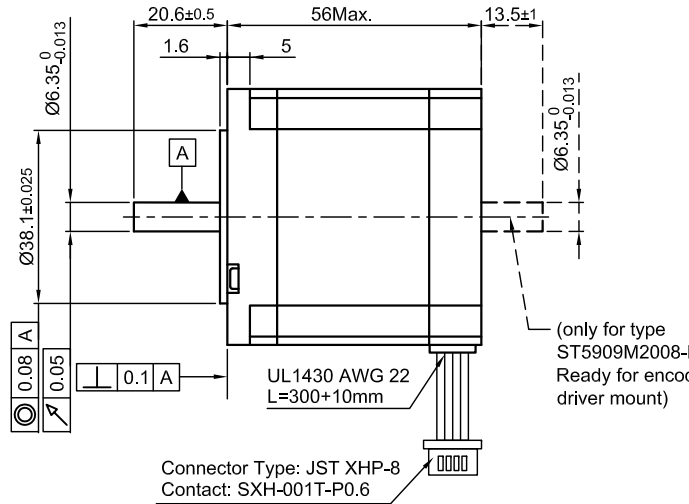


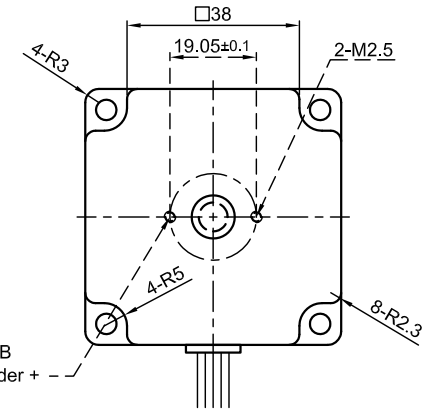
Front view and mounting



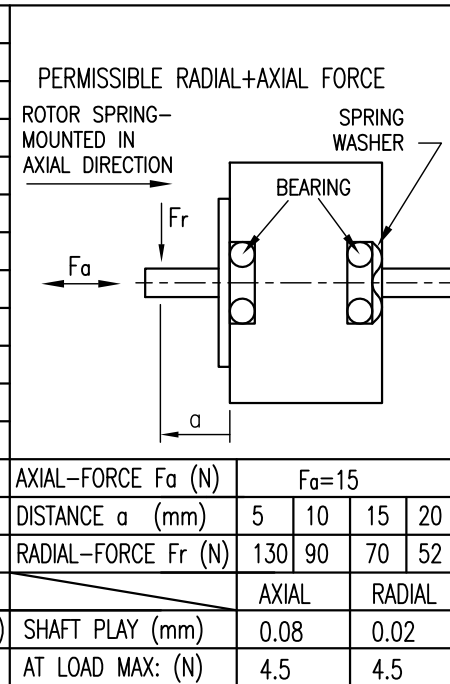
Side view



Rear view



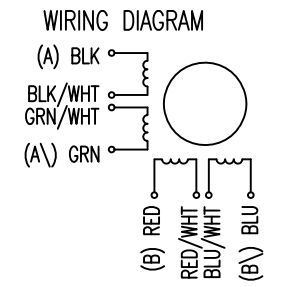
SPECIFICATION	CONNECTION		BIPOLAR	
	UNIPOLAR OR BIPOLAR-1 WINDING	SERIAL	PARALLEL	
VOLTAGE (VDC)	3.6			
AMPS/PHASE	2.0	1.41	2.82	
RESISTANCE/PHASE (Ohms)@25°C	1.8±10%	3.6±10%	0.9±10%	
INDUCTANCE/PHASE (mH) @1KHz	4.5±20%	18±20%	4.5±20%	
HOLDING TORQUE (Nm) [lb-in]	0.74 [6.55]	1.05 [9.29]	1.05 [9.29]	
DETENT TORQUE (Nm) [lb-in]	0.04 [0.354]			
STEP ANGLE (°) ± ACCURACY	0.9±5% (NON-ACCUM)			
BACK-EMF (V) (300 U/min)		23 min.		
ROTOR INERTIA (Kg-m ²) [lb-in ²]	3.0x10 ⁻⁵ [0.102]			
WEIGHT (Kg) [lb]	0.7 [1.54]			
TEMPERATURE RISE: MAX.80°C (MOTOR STANDSTILL; FOR 2 PHASE ENERGIZED)				
AMBIENT TEMPERATURE -10~ 50°C [14°F ~ 122°F]				
INSULATION RESISTANCE 100 MOhm (UNDER NORMAL TEMPERATURE AND HUMIDITY)				
INSULATION CLASS B 130° [266°F]				
DIELECTRIC STRENGTH 500VAC FOR 1 MIN. (BETWEEN THE MOTOR COILS AND THE MOTOR CASE)				
AMBIENT HUMIDITY MAX. 85% (NO CONDENSATION)				



TYPE OF CONNECTION (EXTERN)				MOTOR		
UNIPOLAR	BIPOLAR			CONNECTOR PIN NO.	LEADS	WINDING
	TWINDING	SERIAL	PARALLEL			
A	A	A	A	1	BLK	A
COM	A			3	BLK/WHT	
A\	A	A\	A\	2	GRN/WHT	A\
B	B	B	B	4	GRN	B
COM	B			5	RED	
B\	B	B\	B\	7	RED/WHT	B\
				6	BLU/WHT	
				8	BLU	

FULL STEP 2 PHASE-Ex., WHEN FACING MOUNTING END (X)

STEP	A	B	A\	B\	CCW	CW
1	+	+	-	-		
2	-	+	+	-		
3	-	-	+	+		
4	+	-	-	+		



REV	DESCRIPTION	DATE	APVD	Nanotec® PLUG & DRIVE		SCALE FREE	APVD	S.Ha.	09.12.08	STEPPING MOTOR	
1	NEW VALUE OF EMK	15.01.09	J.W.	ST5909M2008		X ±0.5	CHKD			DWG.NO ST5909M2008	
						1PL ±0.2	DRN	J.W.	09.12.08		
						2PL ±0.1	SIGNATURE		DATE		
						ANGLE ±30'					