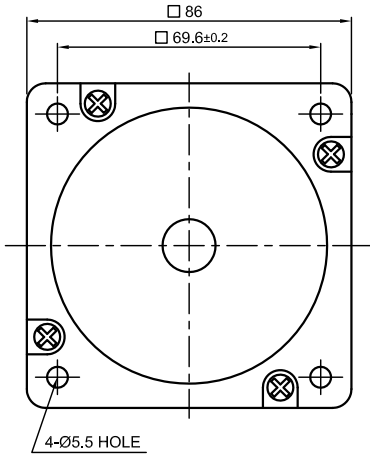
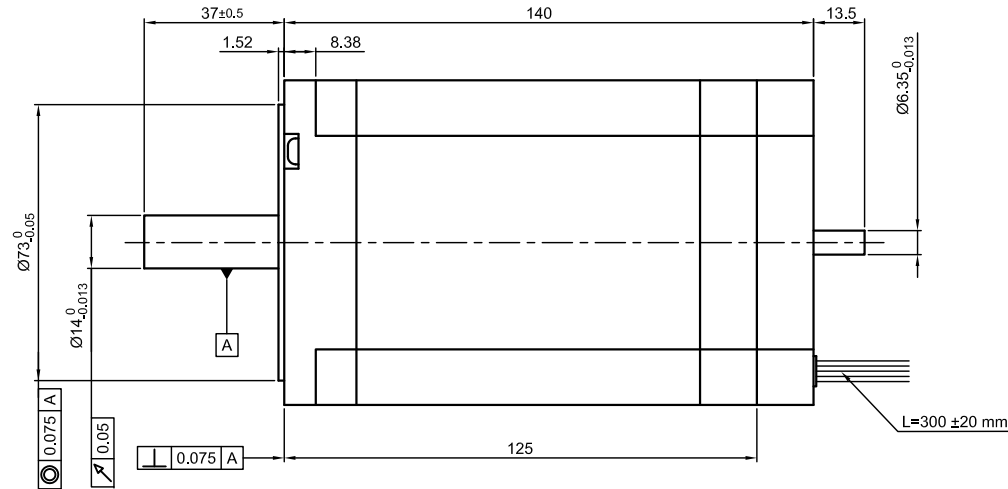


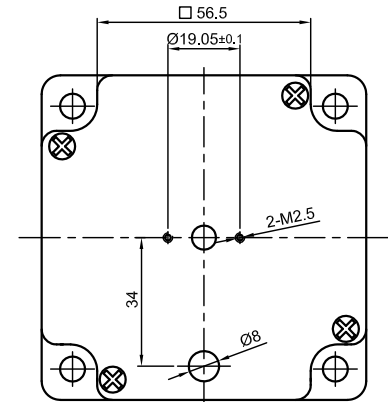
Front view and mounting



Side view

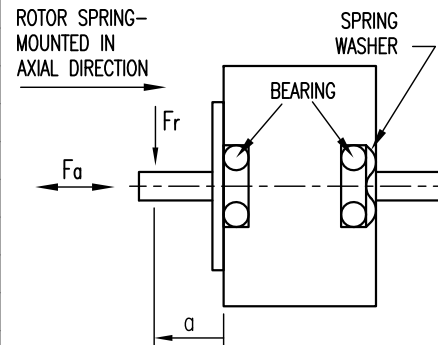


Rear view



SPECIFICATION	CONNECTION	STAR
NO. OF POL./PHASE		8/3
VOLTAGE RATED (VDC)		48
CURRENT RATED/PEAK (AMP)		17.95/53.85
RESISTANCE/PHASE TO PHASE (Ohms) @25°C		0.07±15%
INDUCTANCE/PHASE TO PHASE (mH) @1KHz		0.10±20%
TORQUE RATED/PEAK (Nm) [lb-in]		2.1/6.3 [18.59/55.76]
TORQUE CONSTANT (Nm/A) [lb-in/A]		0.117 [1.04]
POWER RATED (W)		750
SPEED RATED/NO LOAD (U/min)		3000/4500
ROTOR INERTIA (Kg-m ²) [lb-in ²]		2.4X10 ⁻⁴ [0.82]
WEIGHT (Kg) [lb]		4.0 [8.82]
TEMPERATURE RISE: MAX.80°C		
AMBIENT TEMPERATURE -10°~ 50°C [14°F ~ 122°F]		
INSULATION RESISTANCE 100 MOhm (UNDER NORMAL TEMPERATURE AND HUMIDITY)		
INSULATION CLASS B 130° [266°F]		
DIELECTRIC STRENGTH 500VAC FOR 1 MIN. (BETWEEN THE MOTOR COILS AND THE MOTOR CASE)		
AMBIENT HUMIDITY MAX. 85% (NO CONDENSATION)		

PERMISSIBLE RADIAL+AXIAL FORCE

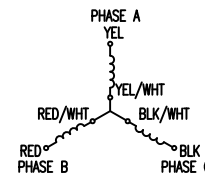


AXIAL-FORCE Fa (N)	60	
DISTANCE a (mm)	20	
RADIAL-FORCE Fr (N)	220	
	AXIAL	RADIAL
SHAFT PLAY (mm)	0.08	0.02
AT LOAD MAX: (N)	4.5	4.5

WIRING DIAGRAM

	COLOR	FUNCTION	Dir. →						LEAD GAUGE
MOTOR 8 POL.	YEL	U	X	HI	HI	X	LOW	LOW	UL1007 AWG15
	RED	V	HI	X	LOW	LOW	X	HI	
	BLK	W	LOW	LOW	X	HI	HI	X	
HALL 24 IMPL. REV.	RED	+5V							UL3266 AWG20
	BLU	H1	0	0	0	1	1	1	
	WHT	H2	0	1	1	1	0	0	
	GRN	H3	1	1	0	0	0	1	
	BLK	GND							

STAR CONNECTING



REV	DESCRIPTION	DATE	APVD	 Nanotec [®] PLUG & DRIVE	SCALE FREE	APVD	<i>S.Ha.</i>	19.06.07	BRUSHLESS DC MOTOR
					X ±0.5	CHKD			
					1PL ±0.2	DRN	<i>J.W.</i>	18.10.06	DWG.NO
				2PL ±0.1	SIGNATURE		DATE		DB87L01-S
				ANGLE ±30'					