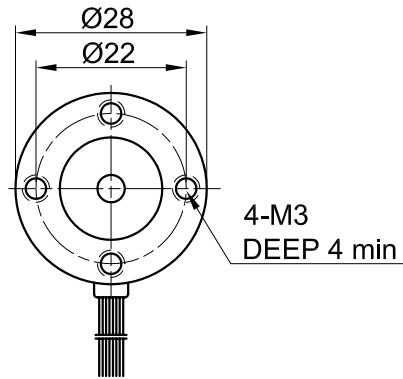
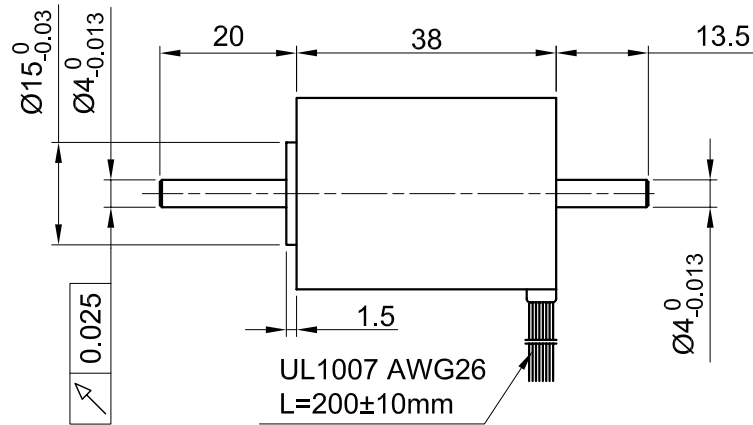


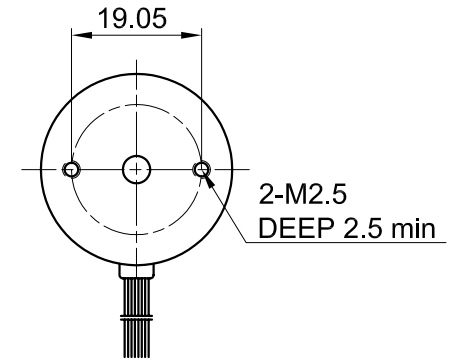
Front view and mounting



Side view

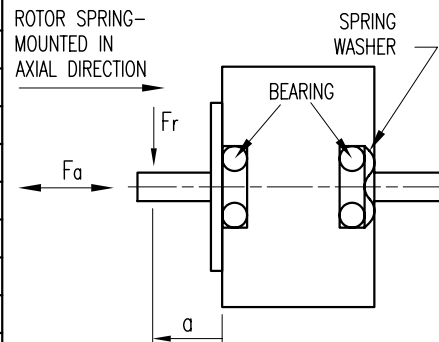


Rear view



SPECIFICATION	CONNECTION	STAR
NO OF POLES/PHASE		4/3
VOLTAGE RATED (VDC)		24
CURRENT NO LOAD/RATED/PEAK (AMP)		0.15/0.88/2.8
RESISTANCE/PHASE TO PHASE (Ohms) @25°C		4.63±15%
INDUCTANCE/PHASE TO PHASE (mH) @1KHz		1.6±20%
TORQUE RATED/PEAK (Nm) [lb-in]		0.014/0.042 [0.125/0.375]
TORQUE CONSTANT (Nm/A)		0.016
POWER RATED/PEAK (W)		14/40
SPEED RATED/NO LOAD (U/min)		10000/15000
ROTOR INERTIA (Kg-m ²) [lb-in ²]		2.12x10 ⁻⁷ [7.241x10 ⁻⁴]
WEIGHT (Kg) [lb]		0.082 [0.18]
TEMPERATURE RISE: MAX.80°C		
AMBIENT TEMPERATURE -10°~ 50°C [14°F ~ 122°F]		
INSULATION RESISTANCE 100 MOhm (UNDER NORMAL TEMPERATURE AND HUMIDITY)		
INSULATION CLASS B 130° [266°F]		
DIELECTRIC STRENGTH 500VAC FOR 1 MIN. (BETWEEN THE MOTOR COILS AND THE MOTOR CASE)		
AMBIENT HUMIDITY MAX. 85% (NO CONDENSATION)		

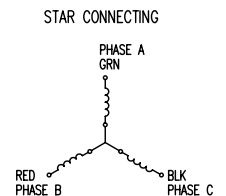
PERMISSIBLE RADIAL+AXIAL FORCE



AXIAL-FORCE Fa (N)	Fr (N)
Fa=10	15
DISTANCE a (mm)	10
AXIAL	RADIAL
SHAFT PLAY (mm)	0.08 0.02
AT LOAD MAX: (N)	4.5 4.5

WIRING DIAGRAM

PIN	COLOR	FUNCTION	Dir. ← →						
			X	HI	HI	X	LOW	LOW	
MOTOR 4 POL.	6	GRN	U	X	HI	HI	X	LOW	LOW
	7	RED	V	HI	X	LOW	LOW	X	HI
	8	BLK	W	LOW	LOW	X	HI	HI	X
HALL 12 IMPL. REV.	1	YEL	+5V						
	2	BLU	H1	0	0	0	1	1	1
	3	ORG	H2	0	1	1	1	0	0
	4	BRN	H3	1	1	0	0	0	1
	5	WHT	GND						
ENCODER (OPTION)	6	YEL	A						
	7	BRN	A\						
	8	GRY	B						
	9	GRY/PINK	B\						
	10	VIOLET	I						
	11	RED/BLU	I\						



REV	DESCRIPTION	DATE	APVD	NANOTEC:	SCALE FREE	APVD	B.W.	23.05.07	BRUSHLESS DC MOTOR
1	INDUCTANCE	22.06.07	J.W.	DB28M01	X ±0.5	CHKD			DWG.NO
					1PL ±0.2	DRN	J.W.	23.05.07	
					2PL ±0.1	SIGNATURE		DATE	DB28M01
					ANGLE ±30'				