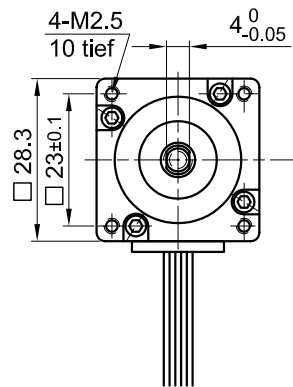
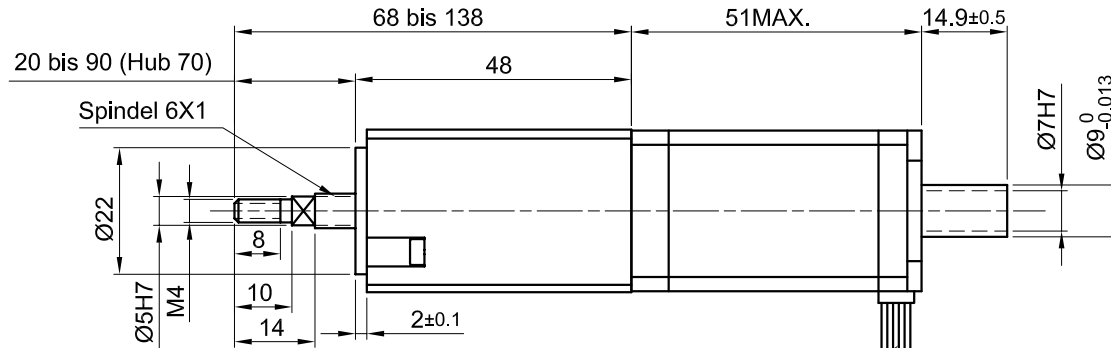


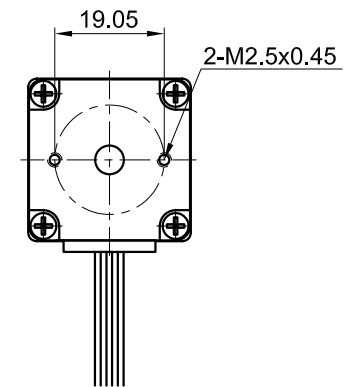
Front view and mounting



Side view



Rear view



UL1007 AWG 26
L=300+10mm

Connector Type: JST XHP-6
Contact: SXH-001T-P0.6

SPECIFICATION	CONNECTION	
	UNIPOLAR OR BIPOLAR-1 WINDING	BIPOLAR SERIAL
AMPS/PHASE	0.95	0.67
RESISTANCE/PHASE (Ohms)@25°C	4.6±15%	9.2±15%
INDUCTANCE/PHASE (mH) @1KHz	1.4±20%	5.6±20%
MAX. THUST (N) [lbf]	350 [78.68]	
MAX. FEED (mm/sec.)	100	
RESOLUTION (mm/STEP)	0.005	
POSITIONING ACCURACY (mm)	0.015	
SPINDLE PITCH (mm)	1	
STROKE (mm)	70	
WEIGHT (Kg) [lb]	0.32 [0.71]	
TEMPERATURE RISE: MAX.80°C (MOTOR STANDSTILL; FOR 2 PHASE ENERGIZED)		
AMBIENT TEMPERATURE -10°~ 50°C [14°F ~ 122°F]		
INSULATION RESISTANCE 100 MOhm (UNDER NORMAL TEMPERATURE AND HUMIDITY)		
INSULATION CLASS B 130° [266°F]		
DIELECTRIC STRENGTH 500VAC FOR 1 MIN. (BETWEEN THE MOTOR COILS AND THE MOTOR CASE)		
AMBIENT HUMIDITY MAX. 85% (NO CONDENSATION)		

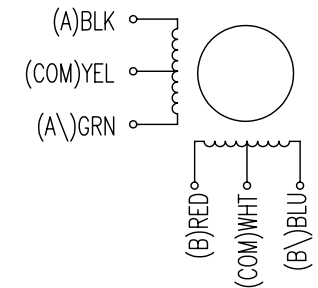
TYPE OF CONNECTION (EXTERN)	MOTOR					
	UNIPOLAR	BIPOLAR		CONNECTOR PIN NO.	LEADS	WINDING
A ---	A ---	A ---	1	BLK	A	
COM ---	COM ---	COM ---	5	YEL	COM	
A\ ---		A\ ---	3	GRN	A\	
B ---	B ---	B ---	2	RED	B	
COM ---	COM ---	COM ---	6	WHT	COM	
B\ ---		B\ ---	4	BLU	B\	

for >speed ← ---]
for <speed ← - - - -]

FULL STEP 2 PHASE-Ex.,
WHEN FACING MOUNTING END (X)

STEP	A	B	A\	B\	CCW
1	+	+	-	-	↓
2	-	+	+	-	↓
3	-	-	+	+	↑
4	+	-	-	+	↑

WIRING DIAGRAM



NANOTEC:				SCALE FREE	APVD	<i>S.Hα.</i>	18.06.07	STEPPING MOTOR
LK2818L1006				X ±0.5	1PL ±0.2	CHKD		
REV	DESCRIPTION	DATE	APVD	2PL ±0.1	DRN	<i>J.W.</i>	14.06.07	DWG.NO
				ANGLE ±30'	SIGNATURE		DATE	LK2818L1006