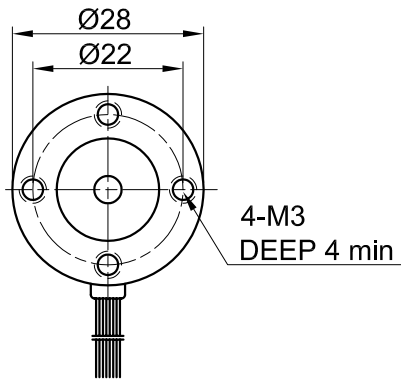
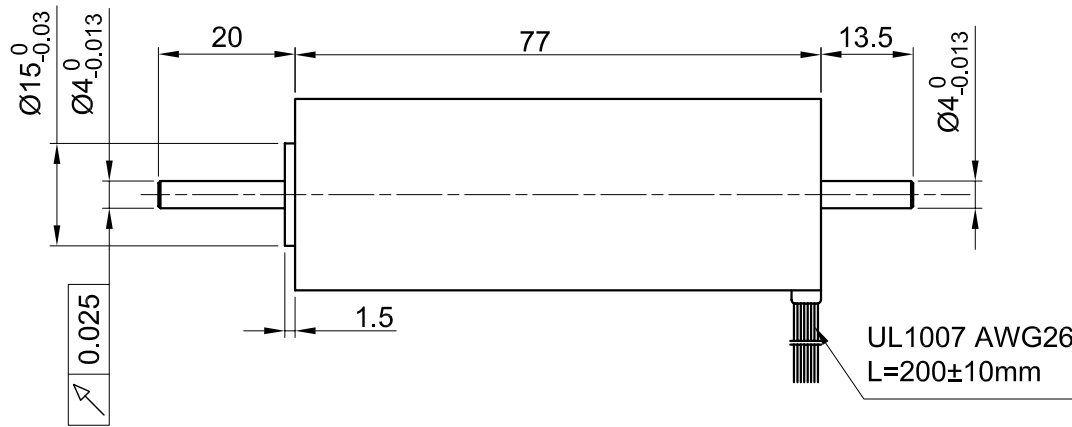


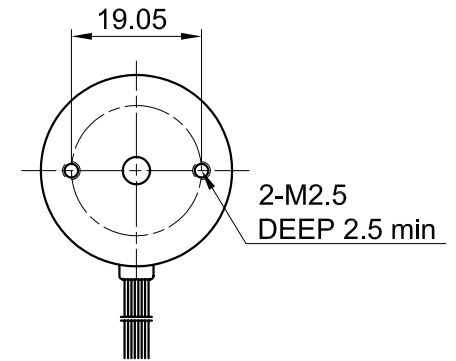
Front view and mounting



Side view

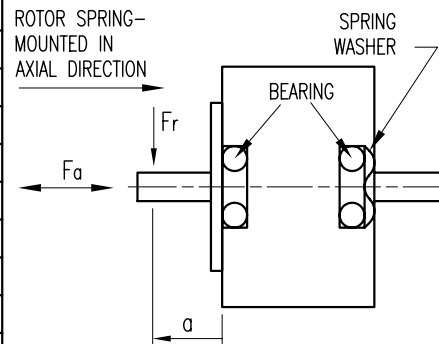


Rear view



SPECIFICATION	CONNECTION	STAR
NO OF POLES/PHASE		4/3
VOLTAGE RATED (VDC)		24
CURRENT RATED/PEAK (AMP)		1.0/3.0
RESISTANCE/PHASE TO PHASE (Ohms) @25°C		4.67±15%
INDUCTANCE/PHASE TO PHASE (mH) @1KHz		3.5±20%
TORQUE RATED/PEAK (Nm) [lb-in]		0.05/0.15 [0.442/1.328]
TORQUE CONSTANT (Nm/A)		0.05
POWER RATED/PEAK (W)		16/48
SPEED RATED/NO LOAD (U/min)		3700/5550
ROTOR INERTIA (Kg-m <sup>2</sup> ) [lb-in <sup>2</sup> ]		5.98x10 <sup>-7</sup> [2.042x10 <sup>-3</sup> ]
WEIGHT (Kg) [lb]		0.28 [0.617]
TEMPERATURE RISE: MAX.80°C		
AMBIENT TEMPERATURE -10°~ 50°C [14°F ~ 122°F]		
INSULATION RESISTANCE 100 MOhm (UNDER NORMAL TEMPERATURE AND HUMIDITY)		
INSULATION CLASS B 130° [266°F]		
DIELECTRIC STRENGTH 500VAC FOR 1 MIN. (BETWEEN THE MOTOR COILS AND THE MOTOR CASE)		
AMBIENT HUMIDITY MAX. 85% (NO CONDENSATION)		

PERMISSIBLE RADIAL+AXIAL FORCE



AXIAL-FORCE Fa (N)	Fr (N)
Fa=10	15
DISTANCE a (mm)	10
AXIAL	RADIAL
SHAFT PLAY (mm)	0.08 0.02
AT LOAD MAX: (N)	4.5 4.5

WIRING DIAGRAM

	PIN	COLOR	FUNCTION	Dir. ←→					
				X	HI	HI	X	LOW	LOW
MOTOR 4 POL.	6	GRN	U	X	HI	HI	X	LOW	LOW
	7	RED	V	HI	X	LOW	LOW	X	HI
	8	BLK	W	LOW	LOW	X	HI	HI	X
HALL 12 IMPL. REV.	1	YEL	+5V						
	2	BLU	H1	0	0	0	1	1	1
	3	ORG	H2	0	1	1	1	0	0
	4	BRN	H3	1	1	0	0	0	1
	5	WHT	GND						
ENCODER (OPTION)	6	YEL	A						
	7	BRN	A\						
	8	GRY	B						
	9	GRY/PINK	B\						
	10	VIOLET	I						
11	RED/BLU	I\							

REV	DESCRIPTION	DATE	APVD	NANOTEC:	SCALE	FREE	APVD	B.W.	23.05.07	BRUSHLESS DC MOTOR	
					X	±0.5	CHKD			DWG.NO	DB28L01
					1PL	±0.2	DRN	J.W.	23.05.07		
					2PL	±0.1	SIGNATURE		DATE		
					ANGLE	±30'					