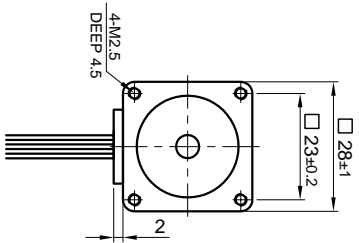
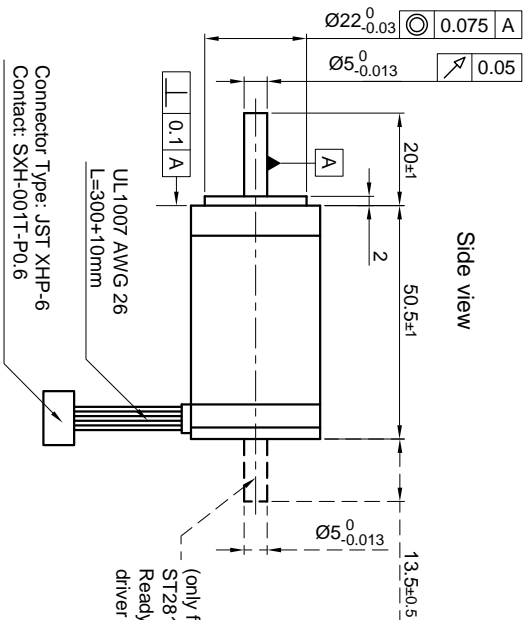


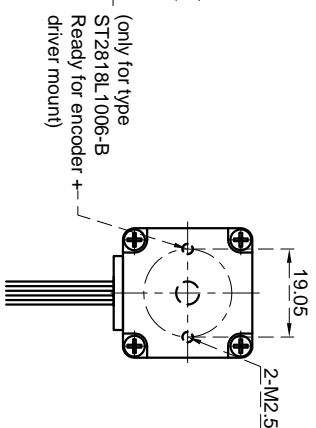
Front view and mounting



Side view

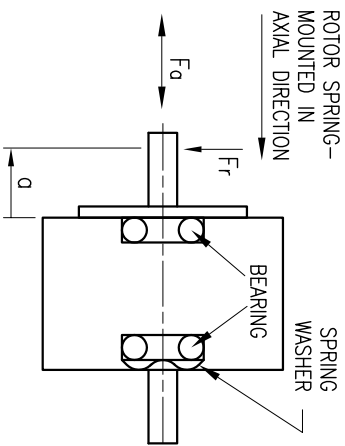


Rear view



CONNECTION	UNIPOLAR OR BIPOLAR-1 WINDING	BIPOLAR SERIAL
SPECIFICATION		
VOLTAGE (VDC)	4.37	6.16
AMPS/PHASE	0.95	0.67
RESISTANCE/PHASE (Ohms)@25°C	4.6±15%	9.2±15%
INDUCTANCE/PHASE (mH) @1KHz	1.4±20%	5.6±20%
HOLDING TORQUE (Nm) [lb-in]	0.09 [0.797]	0.127 [1.124]
DETENT TORQUE (Nm) [lb-in]	4.5×10 <sup>-3</sup> [0.04]	
STEP ANGLE (°)		1.8
STEP ACCURACY (NON-ACCUM)		±5%
ROTOR INERTIA (kg-m <sup>2</sup> ) [lb-in <sup>2</sup> ]	18×10 <sup>-7</sup> [6.148×10 <sup>-3</sup> ]	
WEIGHT (kg) [lb]		0.25 [0.551]
TEMPERATURE RISE: MAX.80°C (MOTOR STANDSTILL; FOR 2 PHASE ENERGIZED)		
AMBIENT TEMPERATURE -10°~ 50°C [14°F ~ 122°F]		
INSULATION RESISTANCE 100 MΩm (UNDER NORMAL TEMPERATURE AND HUMIDITY)		
INSULATION CLASS B 130° [266°F]		
DIELECTRIC STRENGTH 500VAC FOR 1 MIN. (BETWEEN THE MOTOR COILS AND THE MOTOR CASE)		
AMBIENT HUMIDITY MAX. 85% (NO CONDENSATION)		

PERMISSIBLE RADIAL+AXIAL FORCE



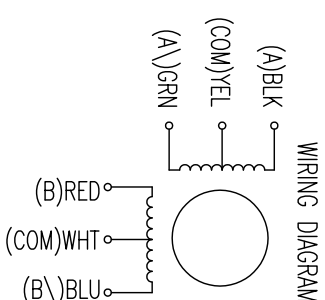
AXIAL-FORCE Fa (N)	Fa=7			
DISTANCE a (mm)	5	10	15	20
RADIAL-FORCE Fr (N)	58	36	26	20
AXIAL	0.075	0.025		
SHAFT PLAY (mm)				
AT LOAD MAX: (N)	10		5.0	

TYPE OF CONNECTION (EXTERN)	BIPOLAR		CONNECTOR PIN NO.	LEADS	WINDING
	UNIPOLAR	1WINDING			
A	COM	COM	1	BLK	A
A \	COM	COM	5	YEL	A \
B	COM	COM	3	GRN	B
B \	COM	COM	2	RED	B \
			6	WHT	COM
			4	BLU	COM

for >speed →  
for <speed ←

FULL STEP 2 PHASE-Ex,  
WHEN FACING MOUNTING END (X)

STEP	A	B	A \	B \	CCW
1	+	+	-	-	↑
2	-	+	+	-	↓
3	-	-	+	+	↑
4	+	-	-	+	↓



NANOTEC:

ST2818L1006

SCALE	FREE	APVD
X	±0.5	CHKD
1PL	±0.2	DRN
2PL	±0.1	
ANGLE	±30°	

S.K. 06.06.06  
J.W. 06.06.06

STEPPING MOTOR

DWG.NO ST2818L1006

REV DESCRIPTION DATE APVD